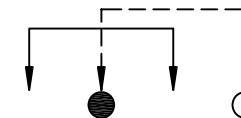
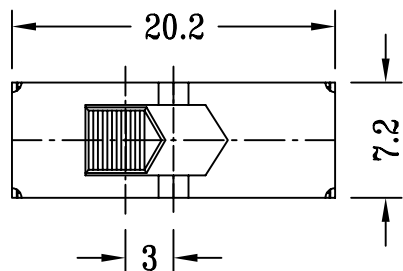
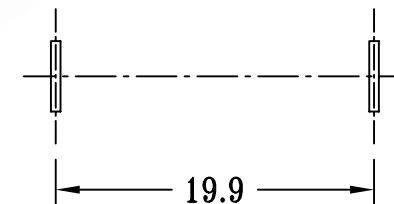
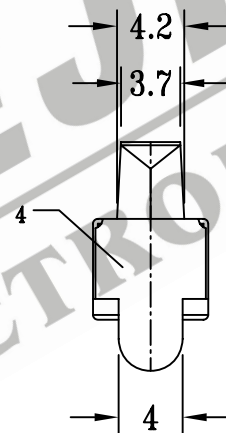
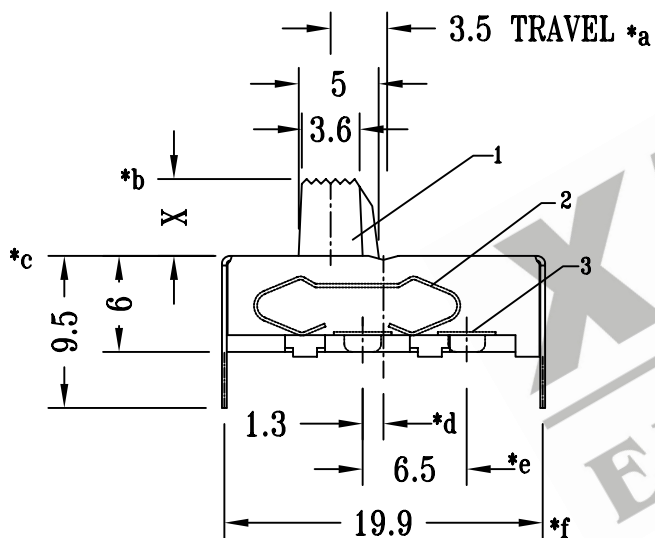


CAD FILE:



SCHEAMTIC



P.C.B LAYOUT

注:带"*"表示关键尺寸(6个)

8					TOLERANCE UNLESS SPECIFIED	SHENZHEN XIEJIA ELECTRONICS CO.,LTD.				
7										
6					WITHIN: 1.5±0.1mm OVER: 1.5±0.2mm	ISSUE	DATE	DESCRIPTIONS OF REVISION		APPD.
5	FRAME	STEEL STRIP	1	NI PLATED						
4	TERMINAL BASE	HARD PAPER	1	RED	TITLE: VERTICAL SLIDE SWITCH	UNIT: mm	DRWG NO.: XJ-DR-SS11G06-00			
3	TERMINAL	BRASS	2	NATURAL						
2	CONTACT CLIP	PBS	1	NATURAL	MODEL: SS-11G06	SCALE: 2:1	DWN.	ZHOUYU	2002-10-13	
1	KNOB	POM	1	RED			CHK'D	FANGYING	2002-10-13	
NO.	PARTS	MATERIALS	Q'TY	FINISH	ALL MATERIALS MUST BE COMPLIANT TO ROHS			APPD.	KANGXINAN	2002-10-13